

Ron Herring

From: Branson D. Ropp <BRopp@edgeco-usa.com>
Sent: Thursday, August 13, 2020 9:54 AM
To: Ron Herring
Subject: Flagpole Pricing
Attachments: ECX20-single-halyard-revolving-truck-template.pdf; ECX25-single-halyard-revolving-truck-template.pdf

Ron,

Apologies for the late pricing. The supplier lost internet until yesterday afternoon. Below is my proposal:

- Tear out landscaping at NE corner as needed to install flagpole base. Includes removing large landscaping rock and reinstalling mulch around flagpole base area
- Install 40' aluminum tapered flagpole with foundation
- Regrading around foundation and respreads mulch
- Tear out concrete and existing flagpole and footing at SE corner (behind POW monument)
- Install (3) flagpoles (25' and (2) 20') with foundations
- Pour concrete apron around flagpole bases
- Allowance of \$5,000 for electrical feeding and new floor lights on flagpoles

Does not include:

1. New plantings or landscaping
2. Sod replacement (we will put down seed when finished)
3. Permit

Total proposal amount: \$28,950

Let me know if you have any questions. I've also attached the shop drawings for the flagpole we would be using.

Thanks,

BRANSON ROPP

Project Manager

3155 SE Miehe Dr., Ste. 2

Grimes, IA 50111



P: 515/986.2229 x114 | F: 515/986.2239 | C: 515/402.9275

www.edgeco-usa.com

COMMERCIAL | HEALTHCARE | INDUSTRIAL

Customer Contract

THIS CONTRACT, made and entered into this, 1st day of September, 2020 by and between Dallas County, Iowa, party of the first part, hereinafter referred to as the "Owner", and Edge Companies, party of the second part, hereinafter referred to as the "Contractor".

WITNESSETH: THAT WHEREAS, the Owner has heretofore caused to be prepared certain specification and proposal blanks, dated the _____ day of _____, 2019, for the Dallas County Courthouse flagpole project under the terms and conditions therein fully stated and set forth, and,

WHEREAS, said specifications and proposal blanks accurately and fully describe the terms and conditions upon which the Contractor is willing to perform the work specified:

NOW, THEREFORE IT IS AGREED:

1. That the Owner hereby accepts the proposal of the Contractor for the work as follows:

Dallas County Courthouse flagpole installation

- a. Installation of four flagpoles with concrete bases and new lighting for flags under a \$5,000 allowance.
- b. Install 40' aluminum tapered flagpole with foundation.
- c. Tear out concrete and existing flagpole and footing at SE corner (behind POW monument).
- d. Install (3) flagpoles (25' and (2) 20') with foundations.
- e. Pour concrete apron around flagpoles bases.
- f. Allowance of \$5,000 for electrical feeding and new floor lights on flagpoles.

Does not include:

Permit.

Total proposal amount: \$28,950

2. That this contract consists of the following component parts which are made a part of this agreement and contract as fully and absolutely as if they were set out in detail in this contract:

2.1 Contract Documents, Including:

- 2.1.1.1 Scope of work noted in proposal dated 8-13-20
- 2.1.1.2 Scope of work drawing/notes prepared after site walk through

2.2 This Instrument.

2.3 The above components are complementary and what is called for by one shall be as binding as if called for by all.

3. That payment is to be made in full to the Contractor when the work has been completed.
4. That this contract is executed in triplicate.

IN WITNESS WHEREOF, the parties hereto have hereunto set their hand and seals the date first written above.

CONTRACTOR

OWNER

EDGE COMPANIES

DALLAS COUNTY

Signature: _____

Signature: _____

Date: _____

Date: _____

Branson D. Ropp

Kim Chapman, Board of Supervisors, Chairman

5. **NOTICES:** Notices given with respect to this contract shall be given in writing:
 - To Dallas County: Ron Herring (Email ron.herring@dallascountyiowa.gov)
 - To Edge Companies: (Email BRopp@edgeco-usa.com)

Model ECX20 - External Single Halyard

5" gold anodized aluminum ball

Single sheave truck, cast aluminum revolving type

(1) 5/16" dia. halyard (#10 poly)

(2) Swivel snaps with vinyl covers

(1) 9" Cast aluminum cleat

Spun aluminum flash collar

3000 PSI concrete (supplied by others)

Hardwood wedges (supplied by others)

Dry sand tightly tamped (supplied by others)

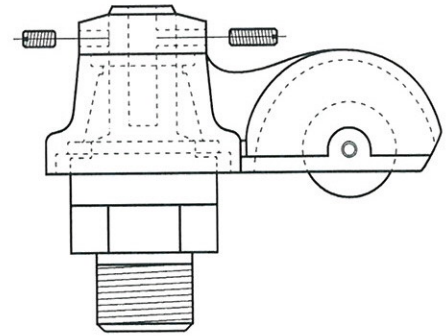
Foundation sleeve - 16 ga galvanized steel

Steel centering wedges

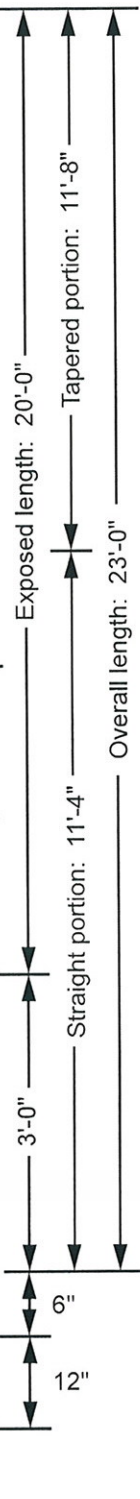
3/16" Steel base plate

3/16" Steel support plate welded to ground spike

3/4" Lightning ground spike



Single Sheave Truck Detail
 Revolving truck
 Cast aluminum body
 Stainless steel ball bearings
 Nylon sheave
 Cast aluminum spindle



Project: **COURTHOUSE POW & STATE FLAG**
 Location:
 Contractor:
 Customer:

Date:
 Job:
 Revision:

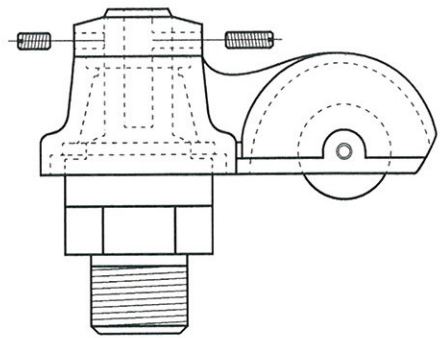
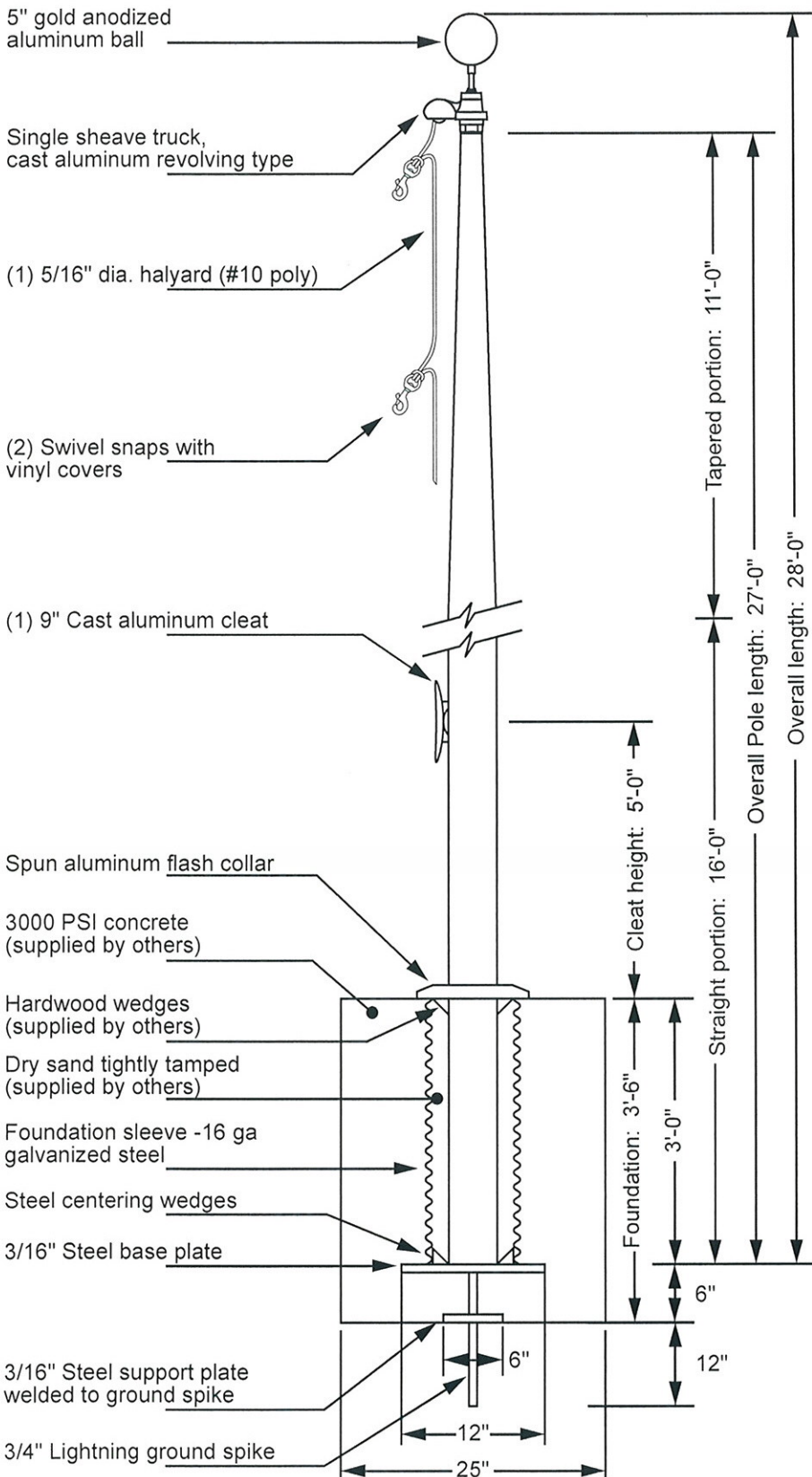
Exposed Height ___ 20'-0"
 Overall Height ___ 23'-0"
 Butt Diameter ___ 5"
 Top Diameter ___ 3"
 Wall Thickness ___ .125"
 Ships in 1 section

Ground Set Tapered Aluminum Flagpole
 ALLOY 6063T6
 80 grit polish
 FINISH:

EDER FLAG
 1000 W. Rawson Avenue
 Oak Creek, WI 53154
 www.ederflag.com



Model ECX25 - External Single Halyard



Single Sheave Truck Detail
 Revolving truck
 Cast aluminum body
 Stainless steel ball bearings
 Nylon sheave
 Cast aluminum spindle

Project: **COURTHOUSE MONUMENT**
 Location: **POW**
 Contractor: **AMERICAN FLAG**
 Customer:

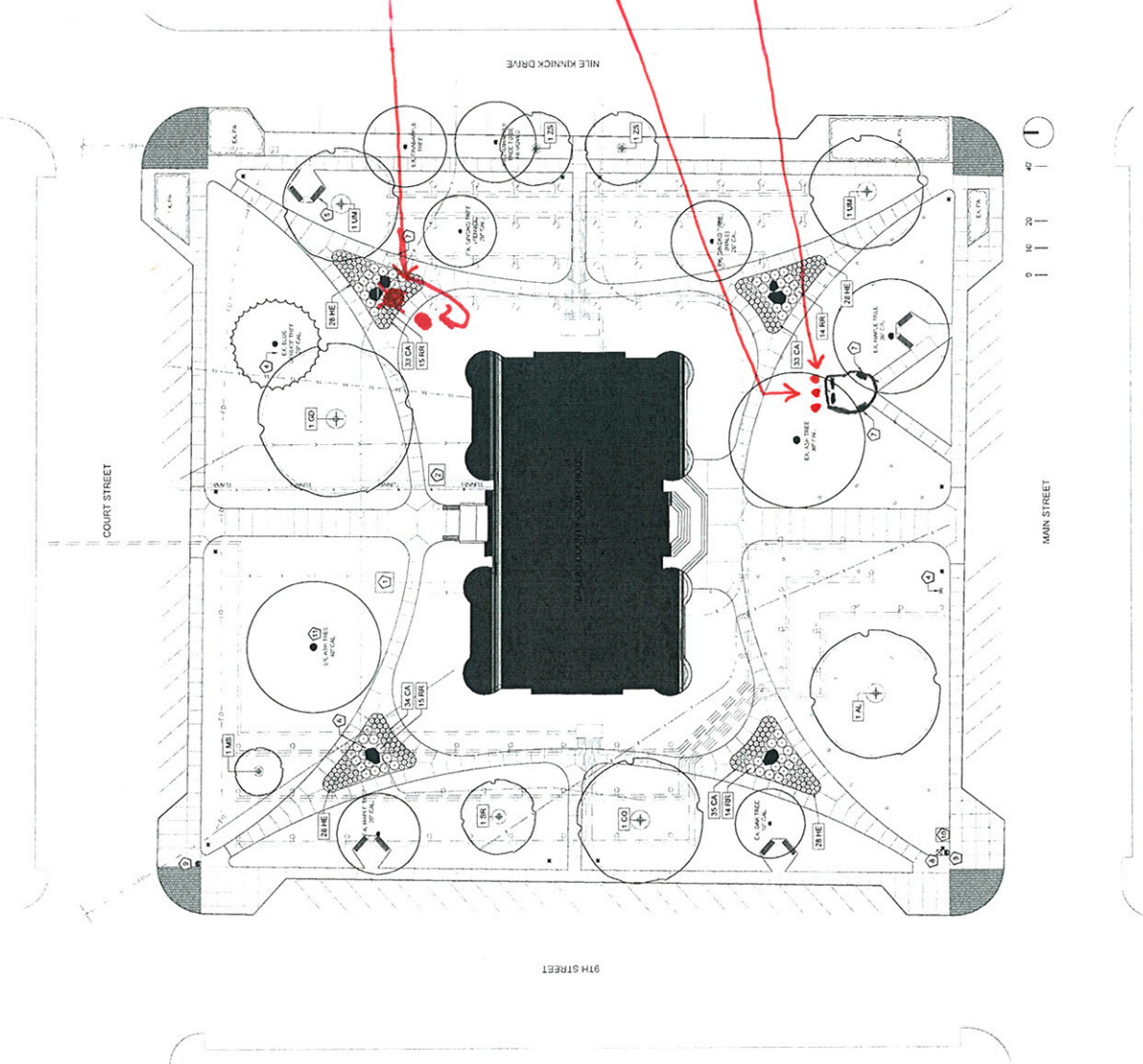
Date:
 Job:
 Revision:

Exposed Height 25'-0"
 Overall Height 28'-0"
 Butt Diameter 5"
 Top Diameter 3"
 Wall Thickness .125"
 Ships in 1 section

Ground Set Tapered
 Aluminum Flagpole
 ALLOY 6063T6
 80 grit polish
 FINISH:

EDER FLAG
 1000 W. Rawson Avenue
 Oak Creek, WI 53154
 www.ederflag.com





NEW FLAG POLE
PLACEMENT 40' 7"
w/ Light

REMOVE CORRUPT FLAG
POLE + DISPOSE OF
TELE SCOPING

3 EA LIBERTY
FLAG POLE w/ Light

801 COURT STREET
ADEL, IA
50003

DALLAS COUNTY COURTHOUSE
SCALE 1" = 20'

